



All In One Camera, Speaker, Mic and Wireless Mic

VC0009
User Manual

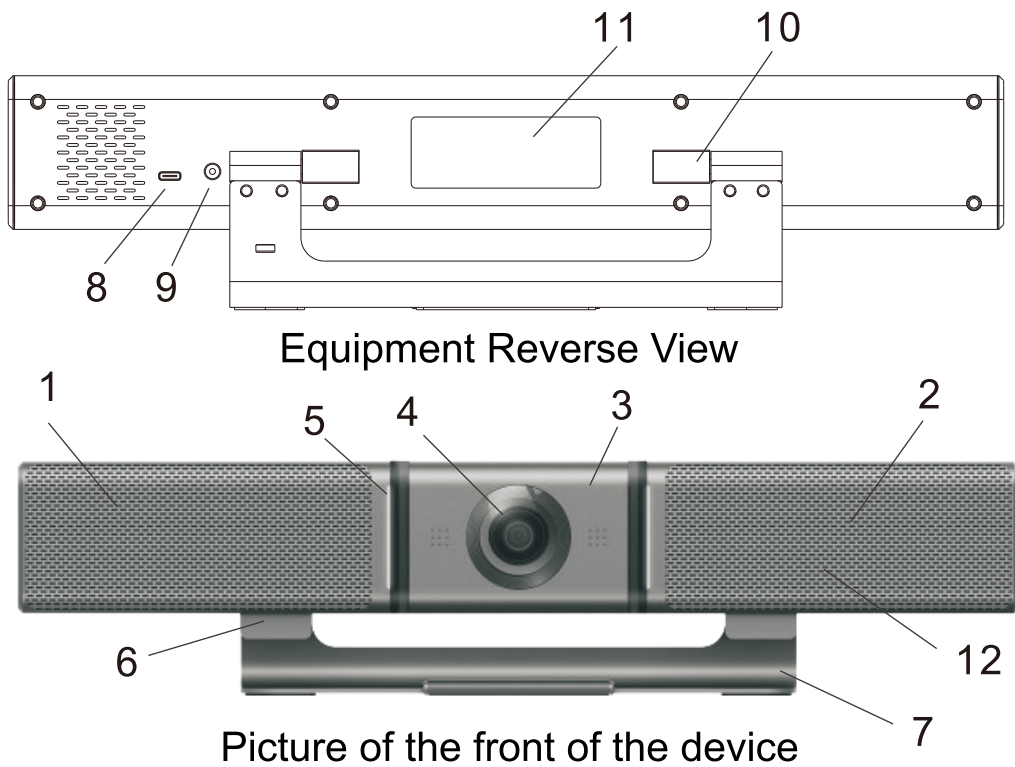


Tel: (RSA) 010 140 4900 / Email: sales@parrot.co.za
www.parrot.co.za

Product Description

This device is a network conference audio and video device based on Internet communication. The device host integrates microphones, speakers, and cameras. According to the conference usage scenario, multiple wireless cascaded omnidirectional microphone slaves can be configured to expand a wider sound pickup range. The device host is connected to the computer terminal through a USB data cable to cooperate with the conference. Instant messaging software can be used for high-quality remote conference communication.

Host Introduction



- | | |
|---------------------------------------|--|
| 1. Horn | 7. Rotatable support frame |
| 2. Multi-array microphones | 8. Type-C interface |
| 3. Multi-angle adjustable camera head | 9. DC power input socket |
| 4. Camera lens | 10. Flame support shaft |
| 5. Status indicator light | 11. Equipment nameplate |
| 6. Front positioning column | 12. Built-in infrared light receiving head |

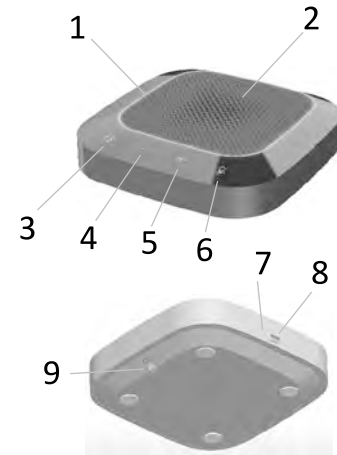
Status Indicator Description

1. After power on and talking, the blue light is always on.
2. The microphone is muted and the red light is always on.
3. The speaker is muted, and the blue light flashes slowly.
4. The microphone and speaker are muted at the same time, and the red and blue lights flash alternately.

Slave Introduction

Multiple wireless cascaded omnidirectional microphone slaves can be configured to expand a wider pickup range.

- 1. Slave status ring light
- 2. Built-in microphone
- 3. Mute button
- 4. Volume down key
- 5. Volume up key
- 6. Microphone mute button
- 7. Charging indicator light
- 8. USB charging port
- 9. Slave switch button



Wireless Microphone Slave

Description of slave ring light & charging indicator light:

- Microphone mute: ring light is always red
- Low battery: ring light flashes red slowly
- Battery charging: charging indicator is always on
- Battery fully charged: charging indicator is of

Packaging List



Host X1



Wireless microphone slave X 2



Remote control X1



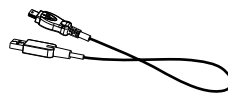
Host power supply X1



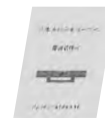
USB-C to A cable X1



Slave charger X2

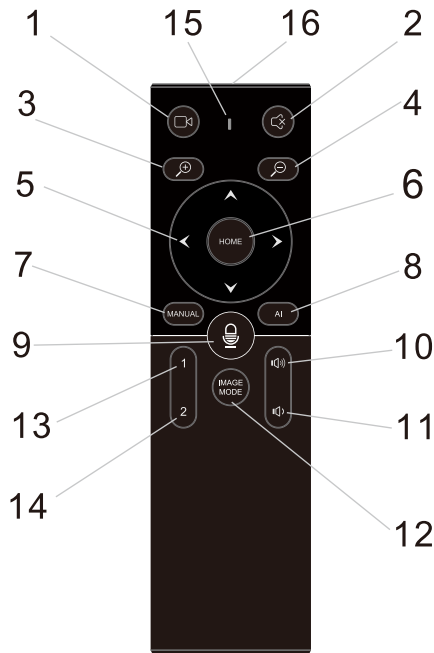


Slave charging cable X2

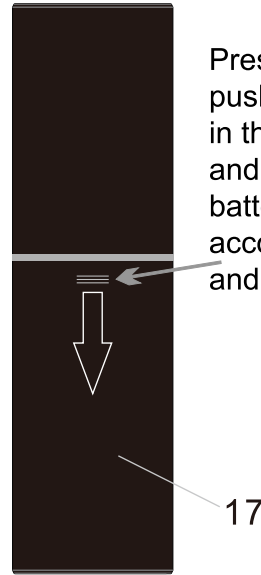


Instruction manual X1

Remote Control and Button Introduction



Picture of the front of the device



Press and hold here and push the battery box cover in the direction of the arrow, and you can insert 2 AAA batteries (self-purchased) according to the positive and negative polarity.

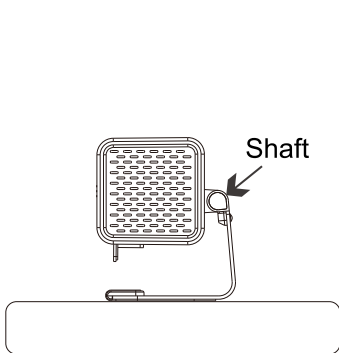
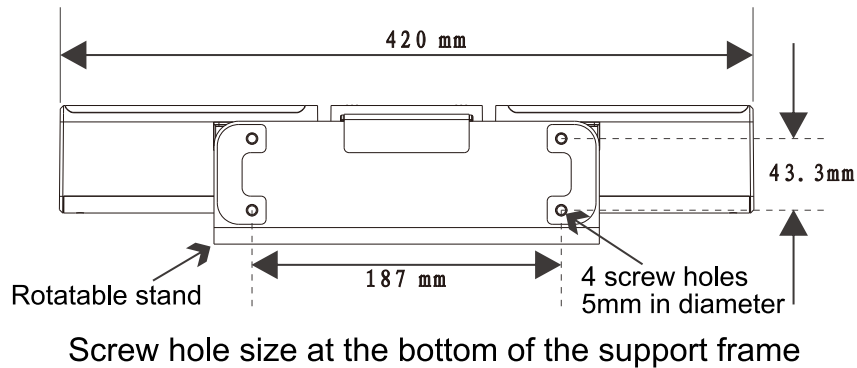
Equipment Reverse View

Button Functions:

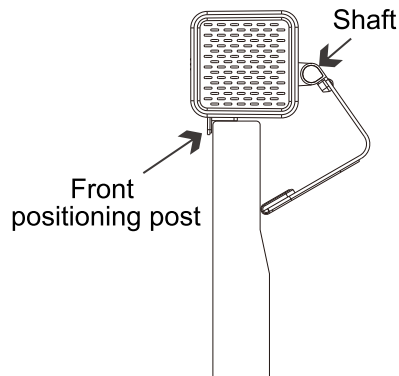
1. Camera lens switch.
2. The horn is muted.
3. The scene image is enlarged.
4. The scene image is reduced.
5. The viewing angle of the scene moves up, down, left, and right (within the maximum viewing angle screen).
6. Restore the default maximum viewing angle screen.
7. Scene image manual adjustment mode.
8. Scene image AI mode, intelligent adjustment of viewing angle screen.
9. Mute the microphone.
10. The speaker volume increases.
11. The volume of the speaker is reduced.
12. Short press this key to select image quality mode, long press this key to set mirror image mode.
13. The scene angle preset position No. 1, long press this key to pre-store, short press to recall.
14. The scene angle preset position No. 2, long press this key to pre-store, short press to recall.
15. Button valid indicator light.
16. Infrared light emission window, operate towards the integrated machine when using the remote control.
17. 2 pieces of AAA battery box cover, put the batteries into the remote control to use.

Device Installation

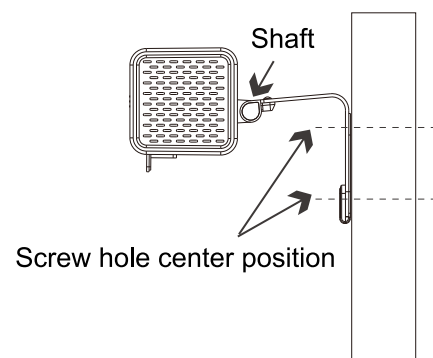
This device can choose a certain installation method according to the application scenario. Generally, it will be installed under or on the top of the display screen. It is recommended that the installation height be within the visible range and roughly at the same level as the human eyes.



Installation method one:
The device is placed on a horizontal support surface

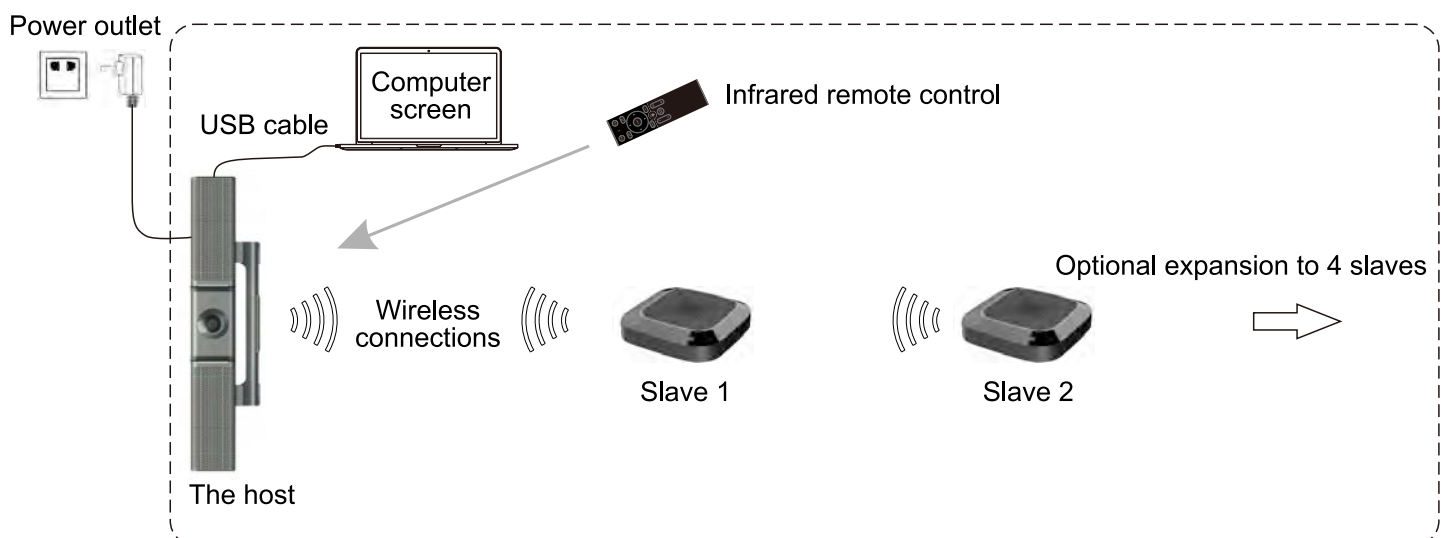


Installation method two:
The device is placed on top of the display



Installation method three:
The device is fixed on a vertical surface with screws

Device Application Connection



Instructions

1. Open the product package, take out the equipment and accessories, and check the quantity in the packing list.
2. According to the application scenario of audio and video network phone, this device can choose a certain installation method to install, fix and place it.
3. First, plug one end of the DC power adapter cable into the DC power socket of the device, and then plug the power adapter into the AC power socket, then the indicator light of the device will light up; the second step is to plug the Type-C. Insert the Type-C plug at one end of the conversion cable into the corresponding socket of the device, and plug the USB plug at the other end into the USB socket of the computer device.
4. After the device is connected to the computer, the device driver will be installed automatically. After the installation is successful, the computer screen will prompt that the device is ready or the device can be used.
5. After the audio and video device drivers of this device are automatically installed successfully, you can use instant messaging or network audio and video phone application software (such as: QQ, SKYPE, etc.) in the computer, and follow the operation method of audio and video network phone. It can carry out remote network audio and video telephone communication and interaction, and can use the remote control to operate various functions of the all-in-one device.

Note: This device is suitable for computer devices with operating systems such as Microsoft Windows and Apple Mac OS.

Pre-Cautions

1. You cannot connect multiple sound transmission speaker devices including local devices to the computer device at the same time.
2. It is required to connect the data cable of the USB interface directly to the computer equipment, if it is connected through a USB hub, it may cause operational problems.
3. Whether the device's audio and video device driver is successfully connected, you can open the computer's "Computer Properties" "Property" hardware option, click "Device Manager" and then click "Sound Video and Game Controllers" to check whether there is a local audio device model; select and click "Image Device" to check whether there is a native camera device model. If necessary To check further, you can check whether the default device displays "local device model" in the options of sound and audio device properties in the computer control panel, in the options of playback (output) and recording (input), otherwise you need to re-select the model of the local device, and confirm.
4. During use, if necessary, you can adjust the volume through the speaker option on the computer side. When using instant messaging or Internet audio and video phone application software, please select this model device as the preferred audio and video device.
5. Do not try to repair the device, as there will be a risk of electric shock. If there is a problem and needs to be repaired, please contact your dealer.

