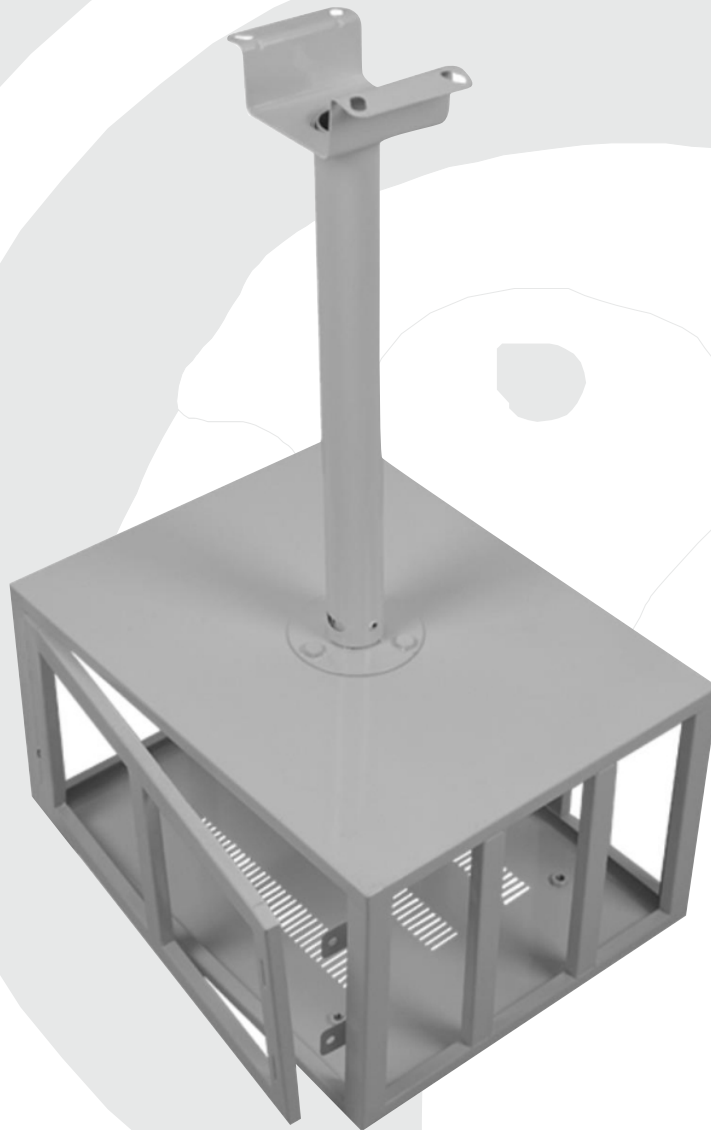




User Manual

Ceiling Mount Projector Security Cage - Lockable

OP0301



For further information, contact us on:

Tel: (RSA) 010 140 4900 / Email: sales@parrot.co.za / www.parrot.co.za

Assembly Manual

Overall Dimensions:

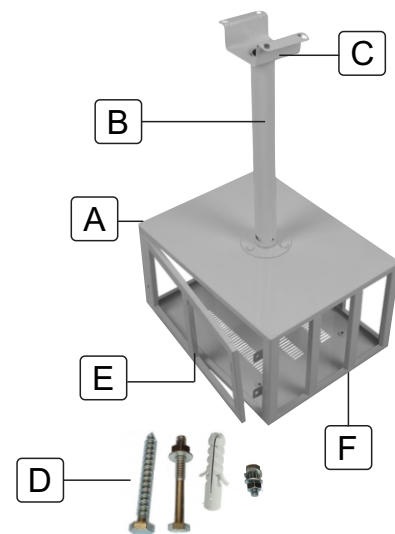
- Height: 806 mm
- Base Width: 350 mm
- Base Depth: 350 mm
- Vertical Support Post Height: 450 mm
- Enclosure Height: 250 mm

Tools Required

- Allen key set
- Screwdriver (Phillips and Flat)
- Wrench set
- Level (optional)

Parts List

Part No.	Description	Quantity
A	Bottom Frame Enclosure (Cube)	1
B	Vertical Support Post	1
C	Top Mounting Bracket	1
D	Fasteners (Bolts, Nuts, Washers)	Assorted
E	Door Panel (Hinged)	1
F	Platform Cover Plate	1



Assembly Steps

Step 1: Prepare the Bottom Enclosure Frame

- Identify and position Part A (Bottom Frame Enclosure) on a flat surface.
- Ensure the frame is level and stable.

Step 2: Attach the Platform Cover Plate

- Align Part F (Platform Cover Plate) on top of the enclosure.

- Use the appropriate bolts and washers to fasten it securely to the enclosure frame using pre-drilled holes.

Step 3: Install the Vertical Support Post

- Position Part B (Vertical Support Post) vertically through the central hole of the cover plate.
- Secure it from underneath with bolts and nuts.
- Ensure the post is upright and stable.

Step 4: Attach the Top Mounting Bracket

- Align Part C (Top Mounting Bracket) on the top of the vertical post.
- Use screws or bolts to fasten it securely.
- The bracket may be adjustable or rotatable—ensure it's aligned as needed.

Step 5: Install the Door Panel

- Attach Part E (Door Panel) to the designated side of the enclosure.
- Use hinge brackets and screws to secure.
- Test the door to ensure it opens and closes smoothly.

Step 6: Final Inspection

- Ensure all bolts and screws are tightened properly.
- Confirm the vertical post is secure and aligned.
- Check door operation and all connections.

Safety Notes

- Wear gloves while handling metal parts.
- Make sure all parts are free from damage or deformation.
- Ensure the structure is not topheavy after assembly.

Maintenance Tips

- Periodically check all fasteners for tightness.
- Lubricate hinges if door becomes stiff.
- Keep the enclosure clean and dry to prevent corrosion.

