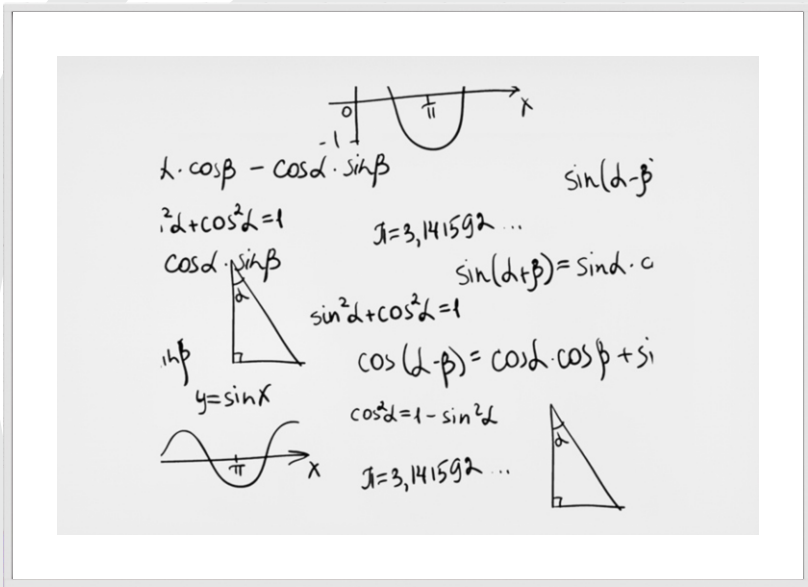




User Manual

83" Multi Touch Interactive Board

HV-1683A



For further information, contact us on:

Tel: (RSA) 010 140 4900 / Email: sales@parrot.co.za / www.parrot.co.za

HV-1683 Technical features:

Technology	IR (infra-red)	USB Type	A (Client) -B (IWB)
Active Area Size(°)	83°	USB Length in standard package	5m
Active Area Size(mm)	1675 x 1199mm	Power Voltage	DC 5V+
Projection Size(°)	78°	Driver Support OS	Windows 11
Projection Size(mm)	1545 x 1199mm	Linux	Support 1 point
Aspect Ratio	4:3	Operation Temperature	-10°C~40°C
Frame Type	Aluminium Alloy Frame	Operation Humidity %	There is no condensation in the 20rh% ~ 95rh%
Multi-Touch Point	10 Points	Storage Temperature (°C)	-40°C-60°C
Input	Finger or Pen	Storage Humidity	There is no condensation in the 10rh% ~ 95rh%
Pen Tray	N/A	Board Dimension (mm)	1724 (L) x 1248 (W) x 28.5mm (B)
Scan Rate	100 dot / second	Package Dimension (mm)	1930 (L) x 1360 (W) x 70mm (B)
Touch Accuracy	± 1mm	Nett Weight (kg)	13kg
Power Supply	USB Cable	Gross Weight (Kg)	19kg

Please note: HV boards are not compatible with macOS Monterey and later versions

Perfect for Business and Education use

Storage Requirement

General storage conditions: Temperature: -10° - 60°, relative humidity: 0% - 95%
warehouse should be clean, tidy, safe and comply with regulations; products should not be placed directly on the ground, but on pallets; the environment around the warehouse should be free of acidic, alkaline or other corrosive gases; avoid exposure to direct sunlight; the storage period is generally 3~6 months, and the product should be checked regularly during storage. If the storage period exceeds 6 months, the product needs to be reinspected.

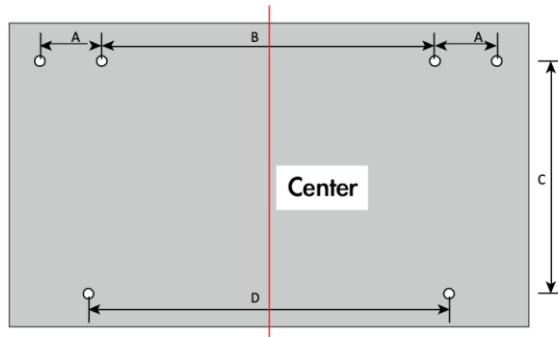
Transportation Requirement

1. The temperature, humidity, and cleanliness of the transportation compartment must meet the specified standards. The loading and unloading tools must be clean, well maintained, and of appropriate specifications.
2. When arranging and handling goods on pallets, follow the transportation markings on the packaging boxes. The contents inside the compartment should be securely fastened to prevent sliding or swinging during transit.
3. During bulk transportation, the products must be firmly secured to prevent tipping over or collision. If necessary, custom wooden frames should be used to protect the products.
4. While the vehicle is in transit, drivers should exercise caution, maintain a steady speed, avoid sudden braking and acceleration, and drive slowly when encountering uneven road surfaces.
5. When using mechanical equipment for loading and unloading, ensure stable placement to prevent collisions and tipping. When using a crane for lifting, the product must be positioned securely and reliably before lifting.
6. During manual loading and unloading, handle items with care, avoid stepping on them, prevent collisions and falls, and ensure that packaging boxes are not damaged.

Installation Requirement

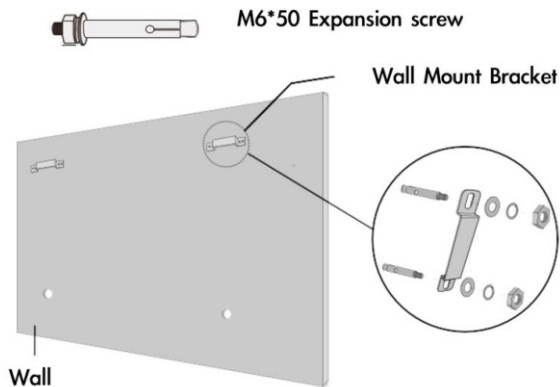
Make sure the wall to install the interactive whiteboard is strong and solid to hold the weight of IWB (13 -18.5KG depends on different model). The wall structure should be brick or concrete. Do not install the IWB on wooden / dry wall.

Step 1. Follow the below distance reference information for different IWB sizes and drill 6 holes where required. (Top 4 holes for M6*50 expansion screws)

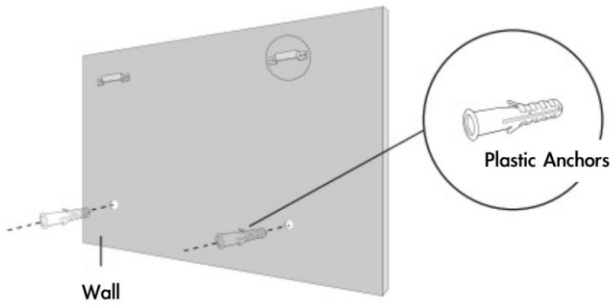


Model	A	B	C	D
HV-I683	80.0	1650	1268	1712
HV-I693	80.0	1964	1268	2026

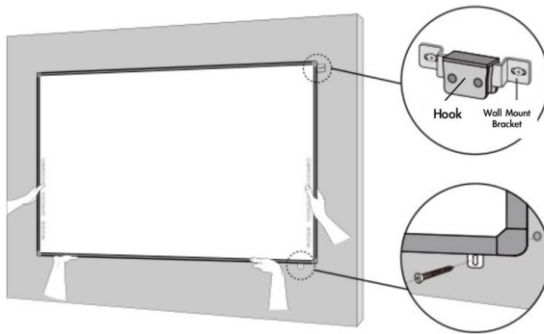
Step 2 . Use M6*50 expansion screw to fix the wall mount bracket as below illustration on the wall.



Step 3 . Install the plastic anchor to the bottom two holes.



Step 4. Hold the interactive whiteboard with the hook on the back, to the wall mount bracket on the wall.



Step 5. Connect the USB cable to the PC and mapping the projector image to the interactive whiteboard for calibration setting. Make sure the projector image is centered in the interactive area of the interactive whiteboard.

