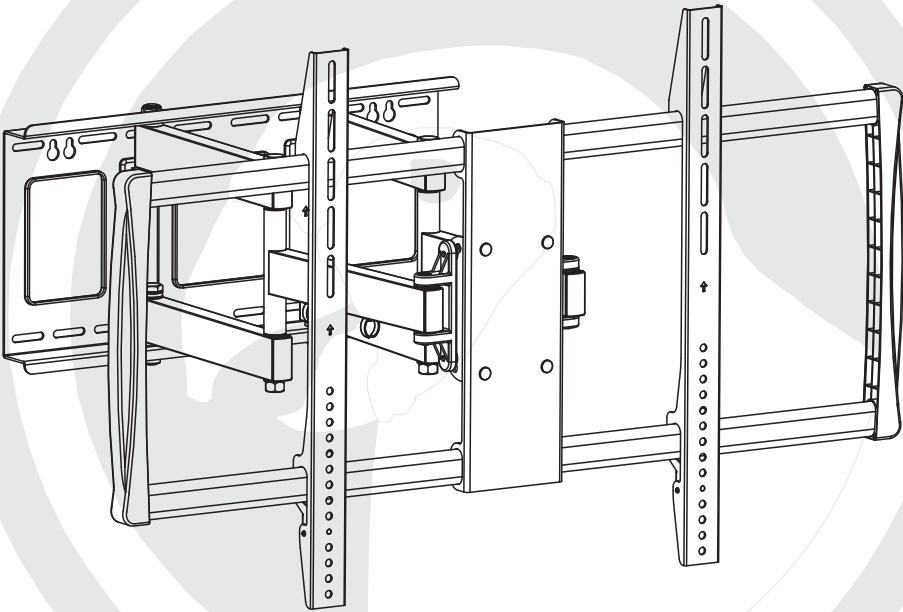




Bracket - Full Motion 60" - 100" - AL0132

User Manual



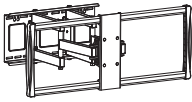
**Tel: (RSA) 010 140 4900 / Email: sales@parrot.co.za
www.parrot.co.za**

VESA Compatible

200x200/300x300/400x200
400x400/600x400/800x400
800x600/900x600



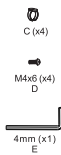
Component checklist



A (x1)



B (x2)



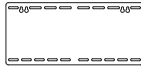
C (x4)



M4x6 (x4)
D



4mm (x1)
E



F (x1)



M-A (x4)
M6x14



M-B (x4)
M8x16



M-C (x4)
M6x30



M-D (x4)
M8x35



M-E (x4)
D8



M-F (x4)
Ø15xØØx5



M-G (x4)
Ø15xØ8x15



W-A (x4)



W-B (x4)



W-C (x2)

1a

1b

2

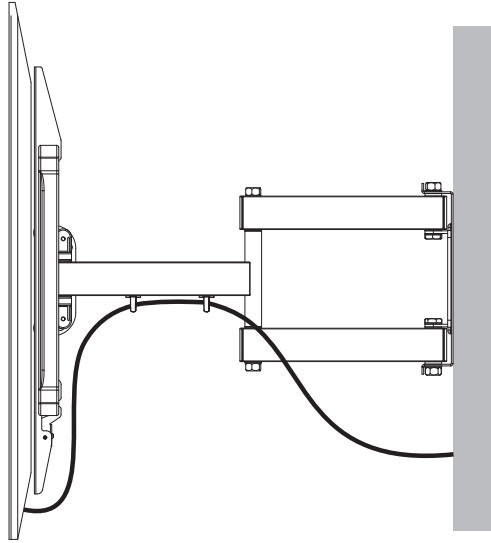
3a

3b

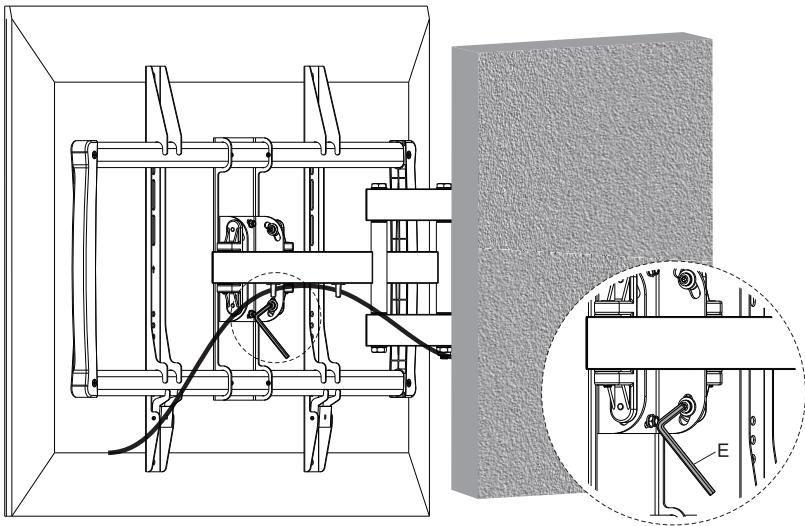
4

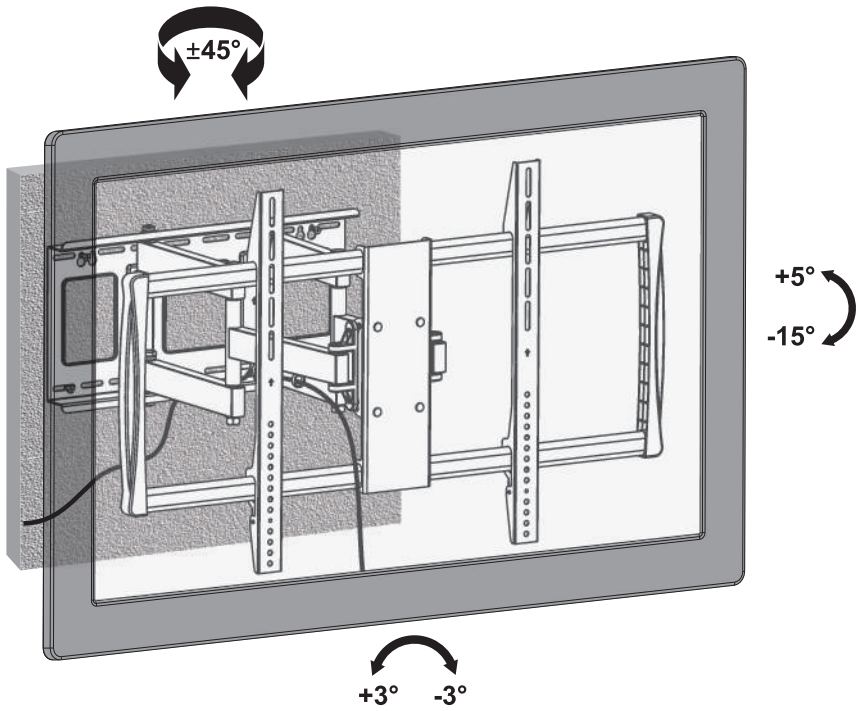
5

6



7







Read instruction manual before you start installation and assembly. If you have any questions regarding any of the instructions or warnings, please contact your local distributor for assistance.



CAUTION: Do not exceed recommended weight usage of 60"- 80". Failure to do so may result in product failure and possible personal injury.

- Please closely follow the assembly instructions.
- Faulty installation may result in product failure and possible injury.
- This product is designed to be installed on solid concrete walls, masonry walls or wood stud walls.
- Make sure that the supporting surface will safely support the combined weight of the equipment and all attached hardware and components.
- Use the mounting screws provided and **DO NOT OVER TIGHTEN** mounting screws.
- This product contains small items that could be a choking hazard if swallowed. Keep these items away from children.
- This product is intended for indoor use only. Using this product outdoors could lead to product failure and personal injury.

IMPORTANT: Ensure that you have received all parts according to the component checklist prior to installation. If any parts are missing or faulty, contact your place of purchase for a replacement.

MAINTENANCE: Check that the product is secure and safe to use at regular intervals (at least every three months).