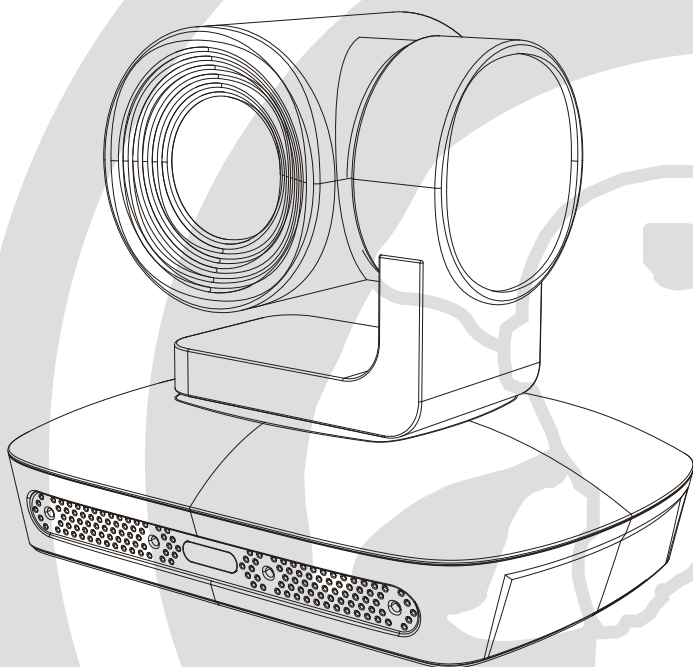




Wireless PTZ Voice Tracking Webcam - VC0005

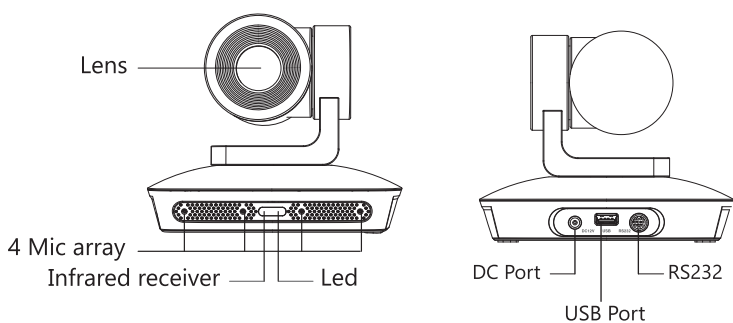
User Manual



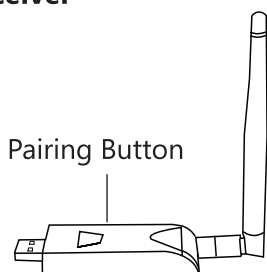
Tel: (RSA) 010 140 4900 / Email: sales@parrot.co.za
www.parrot.co.za

1. Product display

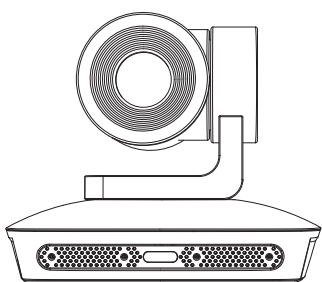
1. Wireless camera



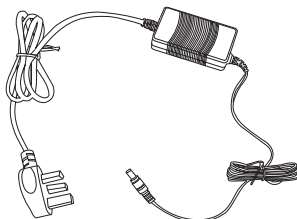
(2). USB receiver



2. Package includes



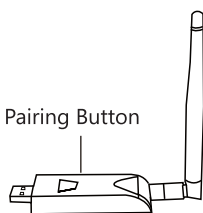
PTZ Camera x 1



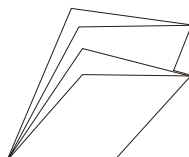
Power Adapter x 1



Remote Controller x 1



USB Receiver x 1



User manual x 1

3. Product features

- 2.4G wireless connection, 300ms latency time, cable free
- Transmission distance : 20m indoor & 50m in open air
- 4 Digital Microphone Array & 10 m voice pickup
- 2.1 million pixels, 1/2.9" HD color CMOS
- 1080P/30fps, 720@30fps
- Adopt AGC technology
- Camera automatically rotates & tracks the voice
- 10x Optical zoom
- IR Remote Control

4. Install the camera

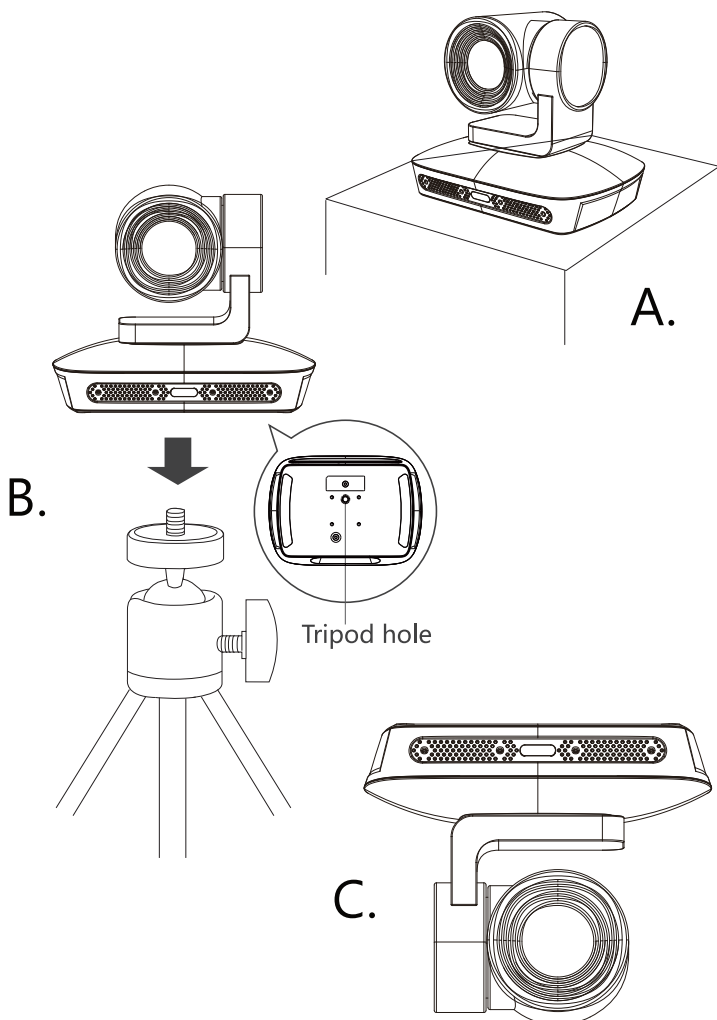
1. Camera placement

The camera can be installed with mountings, on a wall or ceiling, free standing on a desk or mounted on a Tripod.

A. Place on top of desk

B. Mount on a tripod
(Tripod is not including in the package)

C. Ceiling Installation
Product bracket, & install the corresponding screws (optional)

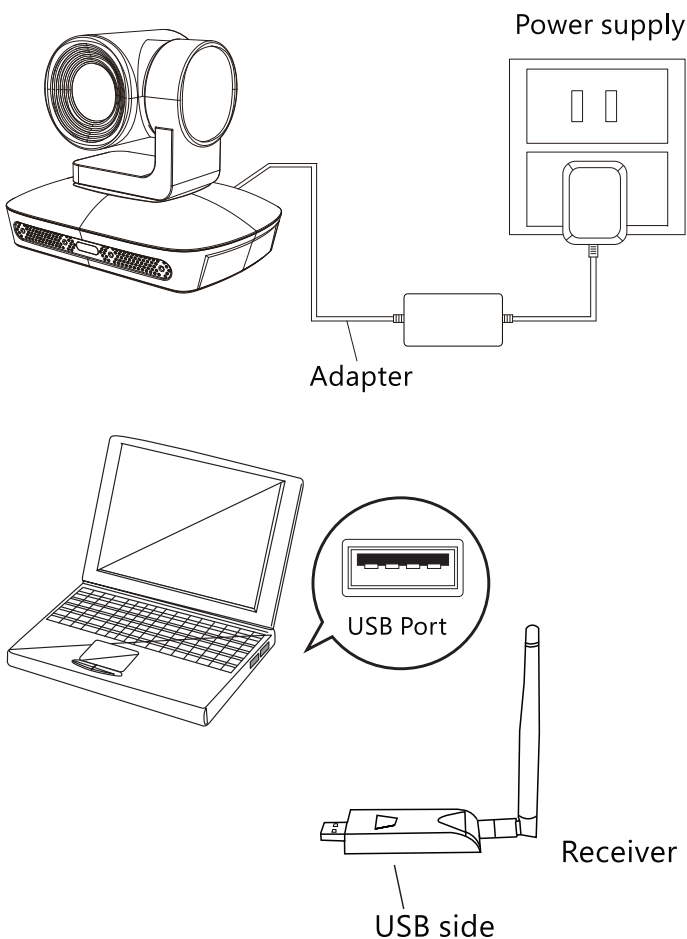


5. Connect the camera

1. Connect your camera to a power supply with the adapter.
2. Plug the USB receiver into your PC or Laptop.
The driver will be installed automatically.
The installation status is displayed in the task tray during installation.

Note:

1. Wireless transmission distance 20m indoor & 50m in open straight line
2. Since this product is a wireless connection, a wired connection is not possible.
Cannot be connected using the other USB cable



6. How to re-connect

The pairing was completed at the factory, but if the camera is out of pairing, you can re-connect it

1. Power on the camera & let the camera self-check for a moment.
2. Connect the receiver to your computer.
Press the pairing button on the receiver, then press the answer button on the remote to connect.
When the green LED of USB receiver is on, the pairing is complete.

7. How to check if the camera is connected

In the process of running the application, if you change the connector or settings, it may not be recognized immediately, please end the application & start again.

■ For Windows 11

1. From Windows start select all apps
2. Select Camera



Camera icon



■ For Windows 10

1. Select windows start & "camera"

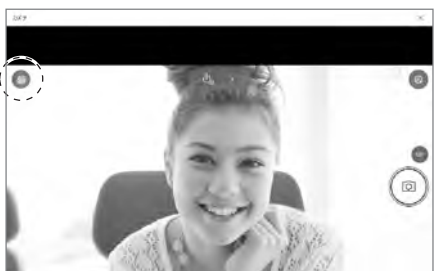


Camera icon



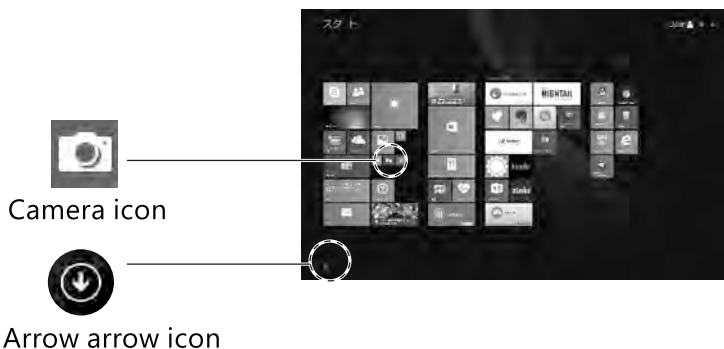
2. When multiple camera are connected & the name of this product is not displayed select "Switch Camera" to change the camera.

Switching
cameras



■ Switching camera for windows 8.1-8

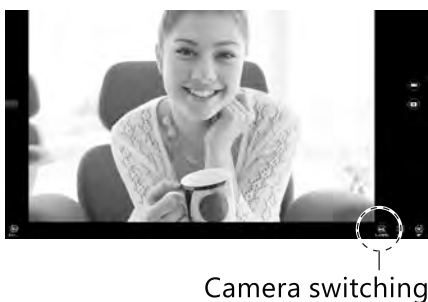
1. Select Windows Start to display the Start screen.
2. if the screen on the right is displayed select the camera icon. If the icon is not displayed, select the arrow icon to display the list of apps.



2.1. Select the camera icon from the app list



3. The image of the camera is projected.
If multiple cameras are connected & the image of this product is not displayed, Right-click the screen to display the setting screen. Click "Switch Camera" to change the camera.



■ For Mac

1. Start 1.0S & in the application folder Launch Face Time!
2. From "Video", choose this webcam model
3. The preview screen will show the camera quality.



8. Product specification

Camera, Lens

Image Sensor	1/2.9 inch CMOS Sensor
Min Lux	0.1Lux(F1.2)
Effective Pixel	2.1 MP
Focus Mode	10x Optical zoom
Shutter Speed	1 to 1/10000s
Horizontal Field of View	54.8°(W)~5.8°(T)
Frame Rate	1920×1080,1280×720, 640×480
Aperture Mode	manual
Backlight Compensation	Support
Wide Dynamic	Support
Picture Adjustment	Brightness, Chroma, Saturation, Contrast, Acut

Microphone

MIC Array Quantity	4
MIC Array Form	Linear
Microphone Spacing	35mm
Sampling Rate	16KHz/48KHz
Sensitivity	-29dBfs
Far-field Pick up Voice Distance	0-10meters
Horizontal Voice Pick up Angle	Horizontal 180°
SNR	65.5dB
Communication Mode	Full duplex

Interface

Video Compressed Format	MJPEG
Control Interface	RS-232, UVC
Control Agreement	VISCA/PELCO-D/PELCO-P
Communicate Baud Rate	2400/4800/9600/115200
Power Interface	DC-038 power socket (DC12V)

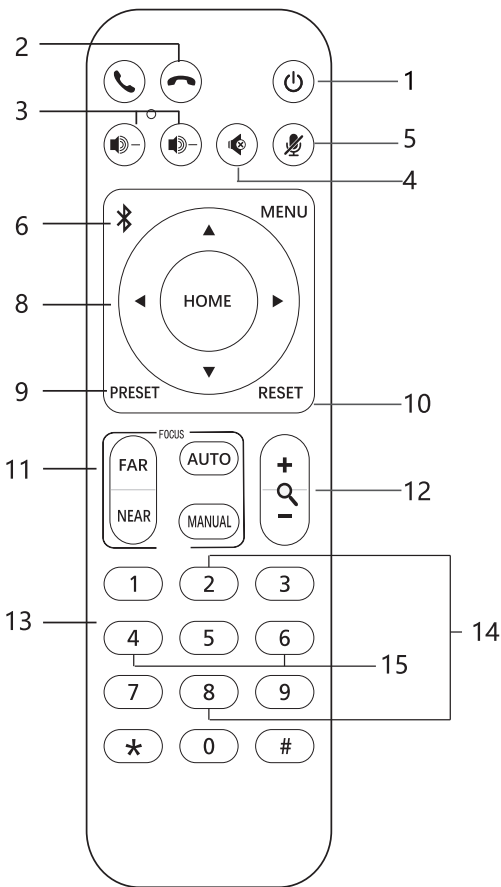
PTZ

Pan Rotation	-170°~ +173°
Tilt Rotation	-30°~ +90°
Horizontal Rotate Speed	0.1~100°/second
Vertical Rotate Speed	0.1~80°/ second

Other

Power Adapter	Input AC100V~AC240V Output DC12V/2A
Decoder	Built in
Input voltage	DV12V
Power Consumption	12W(MAX)
Storage Temperature & Humidity	-10°C ~ +60°C / 20% ~ 95%
Working temperature & Humidity	-10°C ~ +50°C / 20% ~ 80%
Operating Environment	Indoor
Baud Rate	2400/4800/9600/115200
Protocol	VISCA / PELCO-D / PELCO-P
Address Setting	Max 1~255, 10 via remote
Dimension	160.7*115.1*131.4mm
Weight	600g

9. Remote controller specification



1. Power button: Press the power button, the camera enters standby mode
2. Answer button: Click to enter wireless pairing
3. Volume button: Speaker volume down/up
4. Speaker mute button: No Function
5. Microphone mute button: Turn on/off microphone mute
6. Bluetooth button: Turn on/off the microphone Bluetooth. (Only for Bluetooth version, not for MC200S). Bluetooth key + "#" key. Turn off the soundtracking function; Bluetooth key + "#" key. Turn off the soundtracking function; "*" key + number keys to adjust the camera sound tracking sensitivity/time. If you press "*" + the number 5 key first, the duration of the person's speech needs to be greater than five seconds before the camera can turn. The duration of speaking is less than five seconds, the camera will not turn. After successfully connecting to the product, the sound tracking function will be turned on by default.
7. Menu button: Single press menu button no use, Press the [Menu]+[0] button Combination to ceiling installation
8. Camera PTZ control button: Use the control button to adjust the camera to the position you want. Press the HOME button to return the camera to the middle position.
9. Preset position setting button: Press the PRESET button + number button (1-9) to save the corresponding preset position of the camera.
10. Preset position clear button: Press the RESET button + number button (1-9) to clear the corresponding preset position of the camera.
11. Focus button AUTO: Turn on Auto Focus mode MANUAL: Turn on Manual Focus mode FAR: Manual focus button to make distant objects clearer NEAR: manual focus button to make nearby objects clearer
12. Camera zoom button: "+" camera lens zooms in, "-" camera lens zooms out.
13. Number button: cooperate with setting/calling preset position.
14. Press and hold 2 / 8 for 5 seconds to flip up / down display.
15. Press and hold 4 / 6 for 5 seconds to left / right mirror display

10. Precaution

- **Electrical safety**

Confirm country & local electrical safety standards when using or installing the product. The product itself has no power switch. Unplug the power supply to turn the camera off. Video wire & control wire should be insulated & individually connected.

- **Transport with care**

The product should be protected against extreme conditions of stress, vibration & moisture during transport, storage & installation. It is transported by integrated packing style.

- **Power supply**

The product supplies 12V DC power.

- **Installation with care**

Don't turn the camera head manually. Doing so may result in mechanical damage.

The product should be put on a stable horizontal table & should not be installed at a tilt, which may cause a slanted image.

Don't focus the camera directly on the sun or other bright objects if it is in use or not. Otherwise, it may affect image quality.

Don't apply corrosive liquid, gas or solids, to the surface of the camera to avoid damaging the plastic surface.

Make sure there is no obstruction in the way of the camera's rotational range when installing.

Never power on before installation has been completed.

- **Prohibited unauthorized disassemble**

There is no part for users to disassemble voluntarily. The Company is not responsible for any unauthorized modification or dismantling.

Before the installation of the company's products, please read the product manual carefully.

11. FAQ processed.

Q1: Is it compatible with Zoom, Microsoft Teams & Skype?

A1: Yes it is Compatible.

Q2: I want to use it for video conferences at my company.

A2: Many companies use firewalls when connecting to the Internet, so they may not be available for video conferences. Please contact the server administrator for details.

Q3: Does the image move smoothly?

A3: It depends on the performance of your computer & the speed of your internet connection.

Q4: How do I test whether the camera is working?

A4: Please refer to "5. How to check if this product is recognized correctly".

12. Warranty & service information

This product is provided a period of two (2) years from the date of purchase for defects in materials & workmanship (subject to the terms set forth below). It shall be returned to the dealer in either its original packaging or packaging affording an equal degree of protection.

The following information must be presented to obtain Warranty Service: (a) the product, (b) proof of purchase, which clearly indicates the date of purchase & the product type, & (c) the reason for return.

This Warranty does not cover defects or damages that result from: (a) improper storage, misuse or abuse, accident or neglect, such as physical damage (cracks, scratches, etc.) to the surface of the product resulting from misuse; (b) contact with liquid, extreme humidity, extreme heat, or food; (c) use of the product or accessories for commercial purposes or subjecting the product or accessories to abnormal usage or conditions; (d) other acts which are not the fault of dealer.

This Warranty does not cover damage due to improper operation, maintenance or installation, or attempted repair by anyone other than the dealer or the dealer's authorized repair centre.

This Warranty does not cover defects or damages that result from the use of the dealer's branded or uncertified products, accessories, or other peripheral equipment, nor does this Warranty apply to products which have not been charged for six (6) months. If the battery in a product has not been charged for a period of six (6) months, the product might not function or regain its full potential & long-term performance. The dealer does not offer any Warranty for such performance.