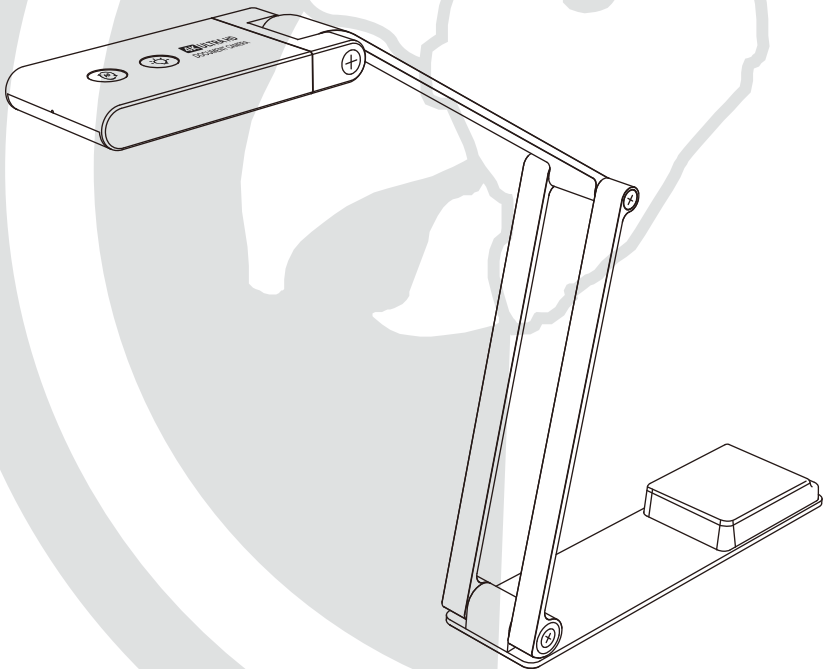




Visualizer Slim 13MP Auto

VZ0004
User Manual



Tel: (RSA) 010 140 4900 / Email: sales@parrot.co.za
www.parrot.co.za

Step 1 . Instructions

The VZ0004 is a 2-in-1 4K portable USB visualizer (document camera) designed for remote learning and live demonstrations. This quick start guide briefly describes the steps to start using this document camera. If you have any technical or service questions about the products, please E-mail our customer service using sales@parrot.co.za and we will provide you with service and support.

Safety & Environmental Information

Federal Communications Commission Statement (Class B)

This device complies with Part 15 of the FCC Rules. Operation is subject to the following two conditions: This device may not cause harmful interference. This device must accept any interference received, including interference that may cause undesired operation. This equipment has been tested and found to comply with the limits for a Class B digital device, as outlined in Part 15 of the FCC Rules. These limits are intended to provide reasonable protection against harmful interference in a residential installation. This equipment generates, uses, and can radiate radio frequency energy. If not installed and used in accordance with the instructions, it may cause harmful interference to radio communications. However, there is no guarantee that interference will not occur in a particular installation. If this equipment does cause harmful interference to radio or television reception (which can be determined by turning the equipment off and on), the user is encouraged to try to correct the interference by one or more of the following measures:

- Reorient or relocate the receiving antenna.
- Increase the separation between the equipment and receiver.
- Connect the equipment into an outlet on a circuit different from that to which the receiver is connected.
- Consult the dealer or an experienced radio/TV technician for help.

Any changes or modifications not expressly approved by the party responsible for compliance could void the authority to operate the equipment.

This product is herewith confirmed to comply with the requirements set out in the Council Directives on the Approximation of the laws of the Member States relating to Electromagnetic Compatibility Directive 2014/30/EU.



This symbol on a product or on its packaging indicates that the product must not be disposed of with other household waste. Instead, it is your responsibility to ensure disposal of waste equipment by handing it over to a designated collection point for the recycling of waste electrical and electronic equipment usually at a Local Amenity Site. The proper recycling of your waste equipment at the time of disposal will help to conserve natural resources and ensure that it is recycled in a manner that protects human health and the environment.

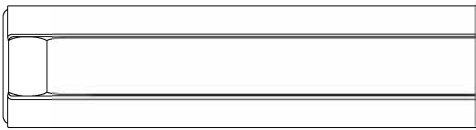
Step 2. Specifications

Image Sensor	13 Megapixel 1/3" CMOS
F/NO (Infinite)	F2.2 ± 5%
Output Resolution / FPS	MJPEG: 3840x2880@15fps, 3840x2160@30fps, 3264x2448@30fps, 2592x1944@30fps, 2048x1536@30fps, 1920x1080@60fps, 1600x1200@60fps, 1280x720@60fps, 1024x768@60fps, 960x540@60fps, 640x480@60fps, 640x360@60fps YUY2: 1280x720@10fps, 1024x768@10fps, 960x540@15fps , 640x480@30fps, 640x360@30fps
Digital Zoom	10x by Software
Max. Shooting Area	440 x 330mm (at output 2048x1536)
Video Compression	MJPG, YUY2
Focus	Auto
Image Rotation	0° / 180° / AUTO
Min. Focus distance	10 cm
Support Power Line Frequency	50 / 60 Hz
Microphone Sensitivity	94dB SPL@1KHz Min-29 Tye-26 Max-23 dBFS SNR 64dB
Interface	USB Type-C
Powered by	USB 2.0 5V/500mA
Support Operating System	Windows® 11, 10 macOS 10.15 or later
Dimensions	Extended: 397(L) x 51(W) x 351(H) mm Closed: 197 (L) x 51(W) x 20(H) mm
Net Weight	409g

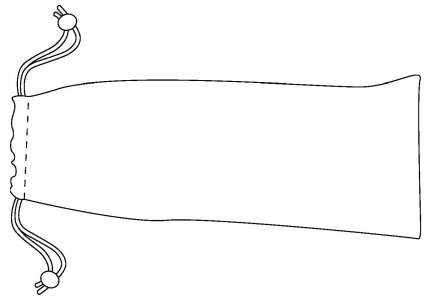
Step 3. Unpacking

Before using, make sure the following items are included in the package. If anything is missing, contact the retrailer where you purchased the product.

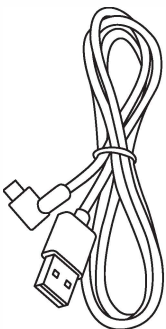
- 1.VZ0004 Document Camera
- 2.Carry Bag
- 3.USB Cable
- 4.USB C to A Adapter
- 5.Cable Clip x 2
- 6.Quick Start Guide



1



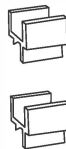
2



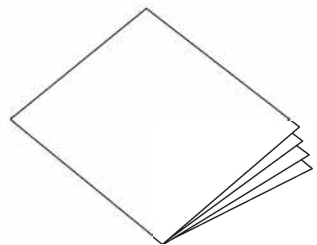
3



4

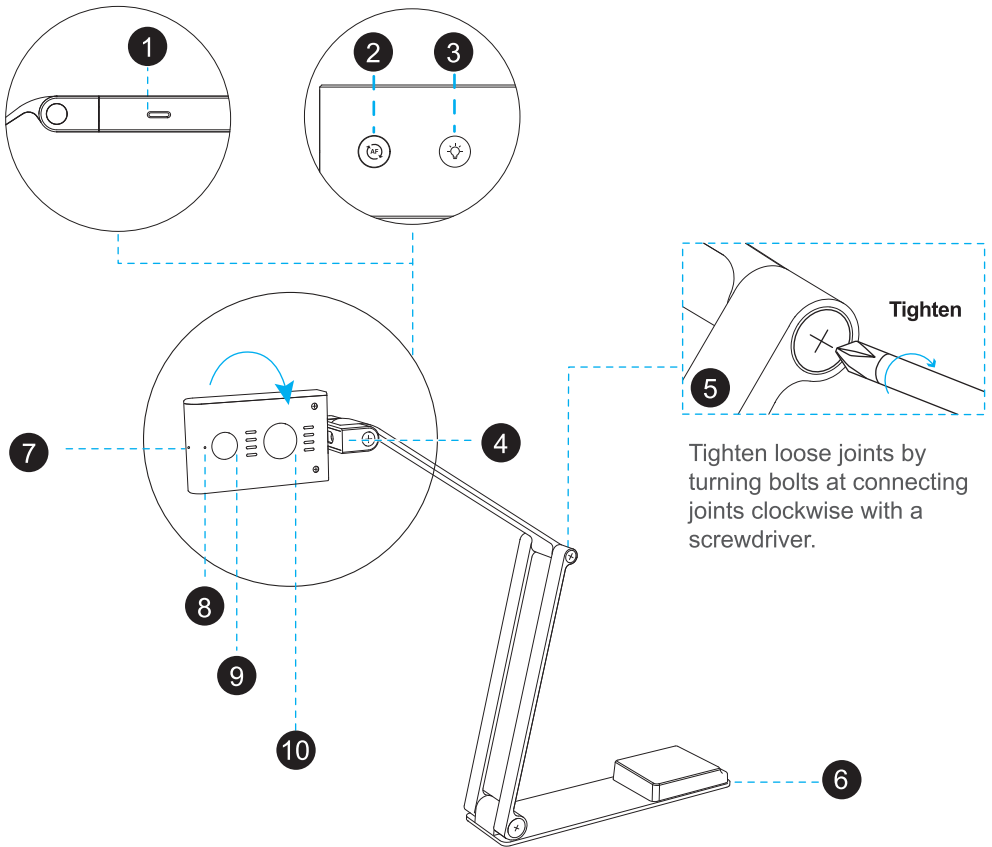


5



6

Step 4. Parts Descriptions



1.USB Type-C Port

Auto Focus-Continuous (AF-C)

2.Auto Focus/Rotate Button

Press once: Auto Focus

Press and hold: Flip Image 0°/180°

3.LED Touch Button

Press to turn on the LED light
(3-level brightness control)

4.Flip Camera Head 0° / 180°

5.Bolts

6.Base Plate

7.LED Indicator

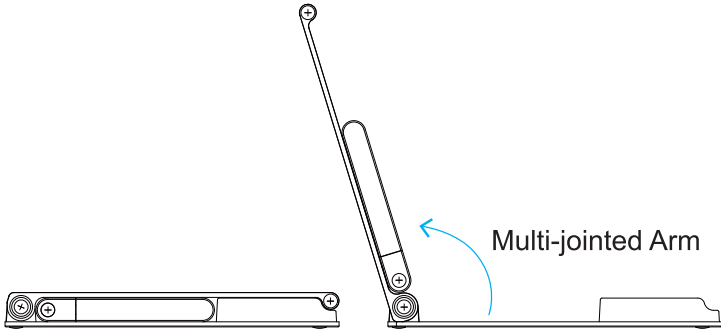
8.Built-in Microphone

9.Camera lens

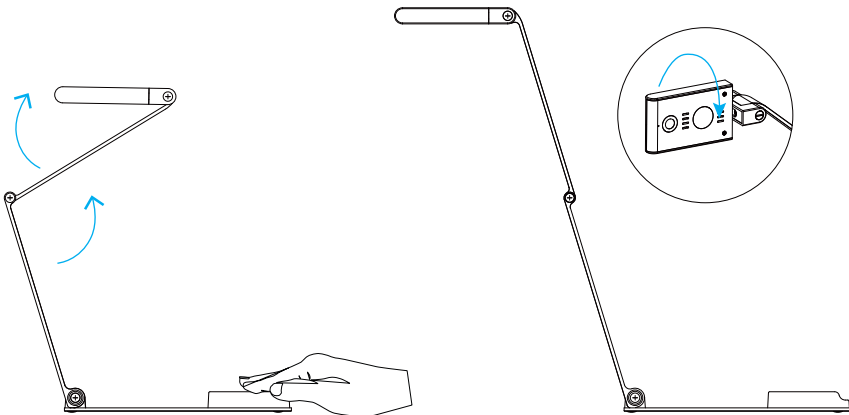
10.LED Light

Step 5. Getting Started

1. Lift the camera arm to extend the visualizer.

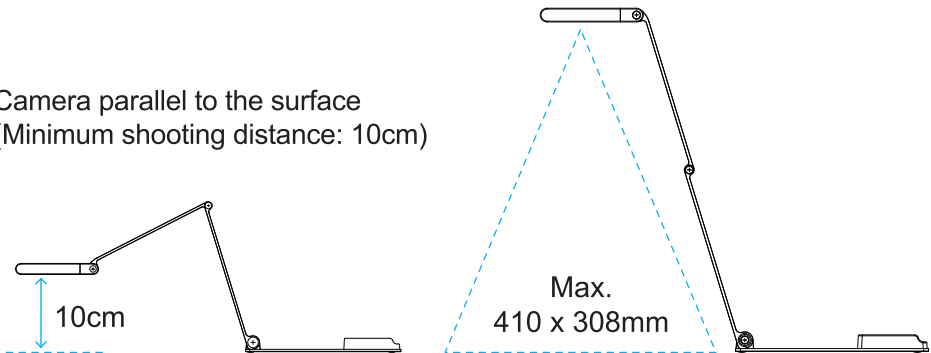


2. Press against the base plate of camera and pull it up then flip the camera head.



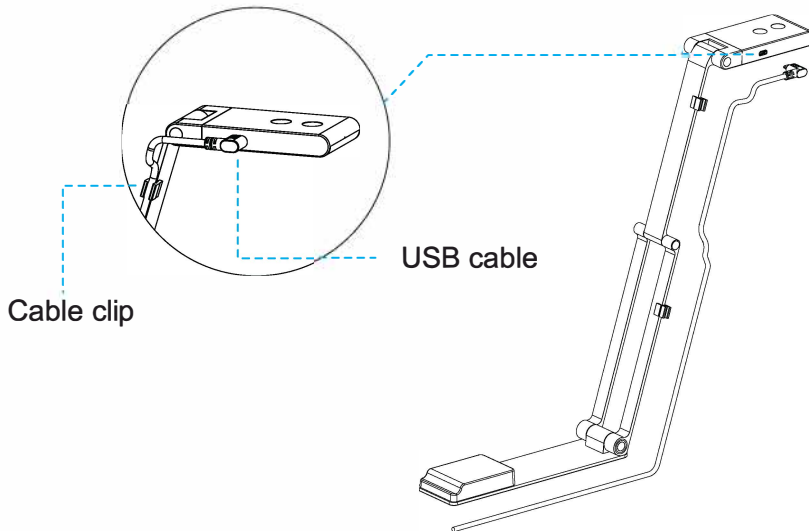
3. Adjust the arm to change the height and position for capturing materials.
Fully extend the camera arm to capture the maximum shooting area to 410 x 308mm.

Camera parallel to the surface
(Minimum shooting distance: 10cm)



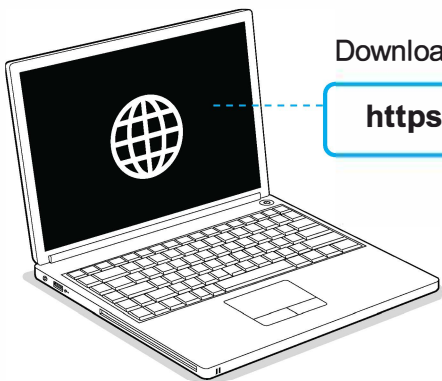
Step 6. Connection Settings

1. Plug the supplied USB cable to the camera and connect another end into the computers USB port (Windows and Mac).
2. Attach the cable fixtures to the camera arm to fix the USB cable.



Using the compatible software

The VZ0004 is a standard UVC camera, you can use it with a variety of software as long as they recognize the video source coming from a UVC camera. For example, you can use it with third-party video conferencing software like Zoom, Microsoft Teams, or Google Meet. However, to get the full functionality of this Portable Visualizer, we recommend using it with VZ0004 software and you can download this free software from the below link.



Download the compatible software & user manual at

<https://www.parrot.co.za/product-drivers>