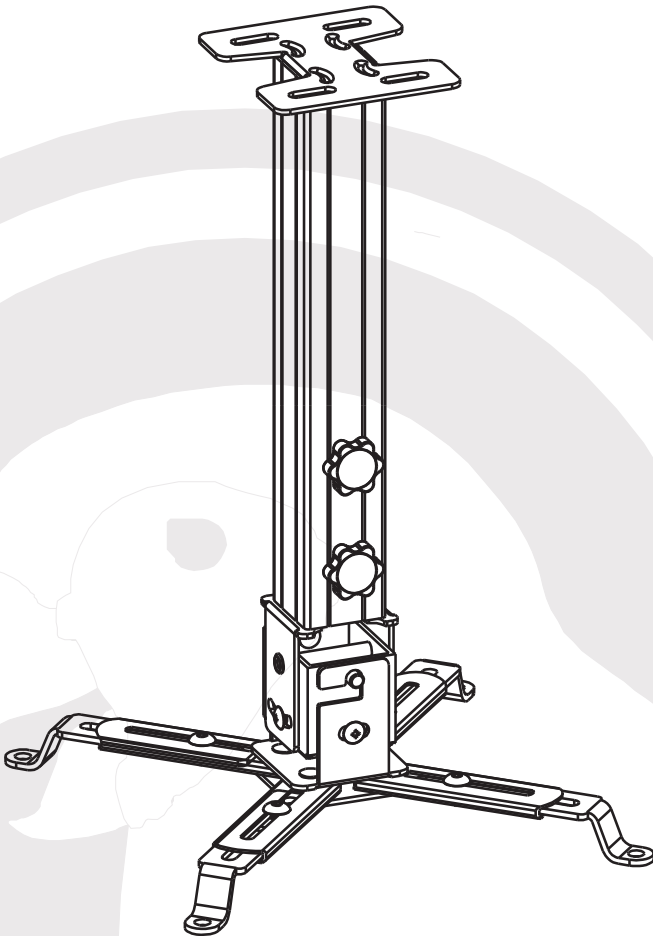




User Manual

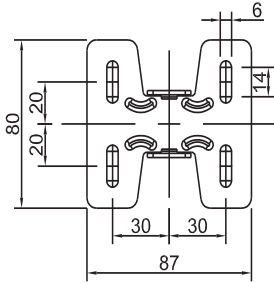
Extendable Ceiling Mounted Projector Bracket - OP0300



For further information, contact us on:
Tel: (RSA) 010 140 4900 / Email: sales@parrot.co.za /
www.parrot.co.za

Technical Parameters

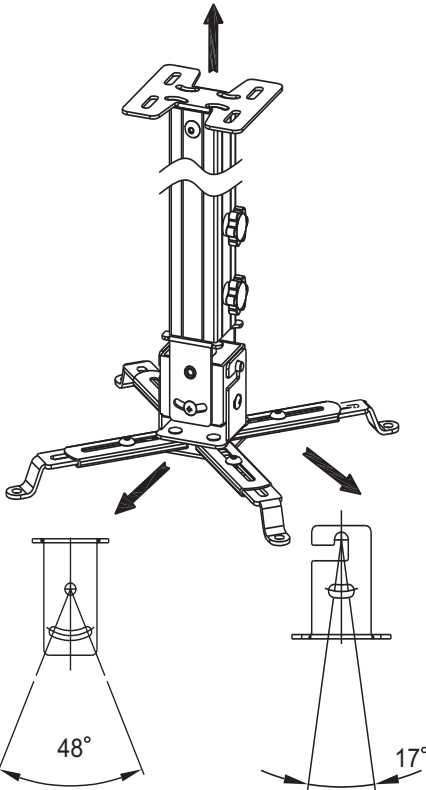
Model	Travel Distance (L)	Extended Height (H1)	Retracted Height (H)
OP0300	20cm	62cm	42cm



Size of the holes on the installation plate (mm)

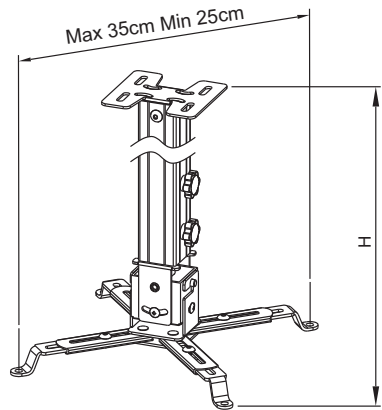
Safety Guide

- If you have any queries, please contact your local distributor.
- Before installation, make sure the contents are not damaged.
- This product works with most projectors. Its maximum loading weight is 18.5kg.
- Make sure the weight capacity of ceiling is triple the weight of the Projector and Projector Mount.
- Make sure all the screws are tightened during installation and adjustment.



Front & Rear Swing Angle

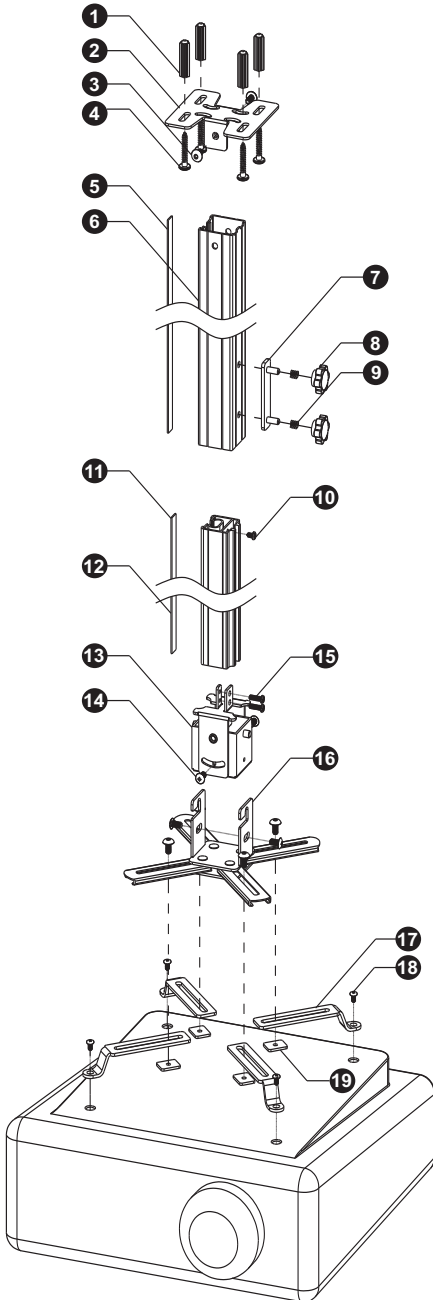
Left & Right Swing Angle







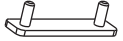














Read through all instructions before proceeding.

Assembly Drawings

Parts

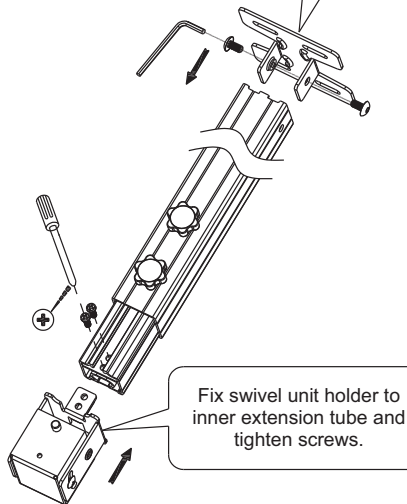


Item	Qty	Name/code	Picture
1	4	8mm Plastic Plug FBB0002T1	
2	1	Ceiling Fixing Bracket PCK0006JT	
3	12	M5 x 10 Hexagon Screw PCL0010BT	
4	4	ST5 x 30 Screw FBB0003T1	
5	1	Plastic Cover Strip A PCL4220SW	
6	1	Outer Tube PCL4220LW	
7	1	Locking Plate PCL0006BT	
8	2	Position Fixing Knob PCL0008BT	
9	2	Spring PCL0007BT	
10	1	ST5 x 12 Screw EBB0007T1	
11	1	Plastic Cover Strip B PCL4220SN	
12	1	Inner Extension Tube PCL4220LN	
13	1	Swivel Unit Holder PCK0001JP	
14	4	M4 x 10 Screw ECL0014BT	
15	2	M4 x 16 Screw PCK0003BT	
16	1	Flexible Claw Sleeve Set PCL0001JP	
17	4	Flexible Claw PCK0004JT	
18	4	Screw M3/M4 ECL0014BT/ECL0017BT	
19	8	Square Screw Nut PCL0009BT	

Installation Instructions

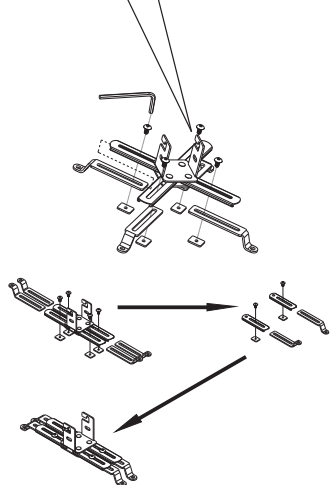
1

Insert ceiling mounting bracket into outer tube and tighten fixing screws.



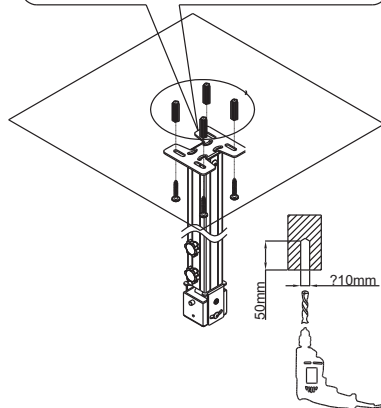
2

Insert the flexible claw into the flexible claw sleeve set then tighten the screws.



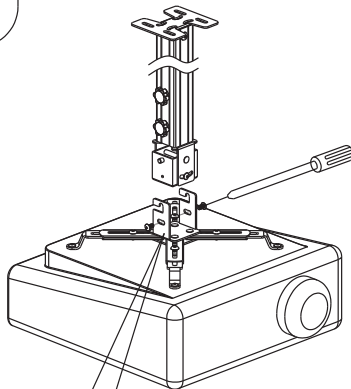
4

Fix the ceiling mounting bracket and adjustable tube unit to the decided location on the ceiling.



5

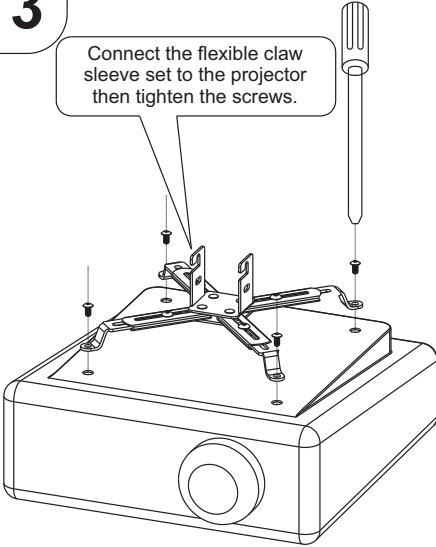
Connect the flexible claw sleeve set to the extension then tighten the screws.



Method Projection Adjustment

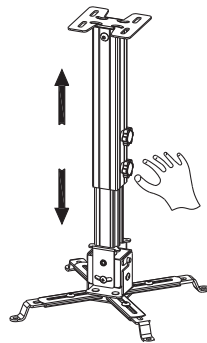
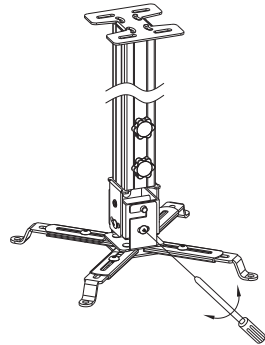
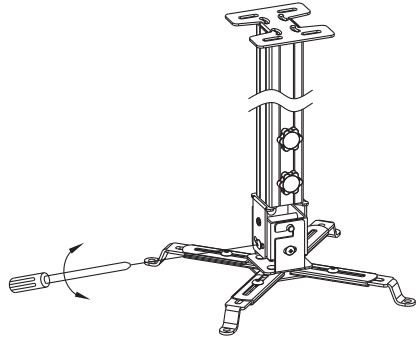
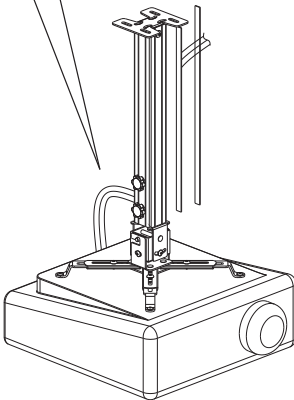
3

Connect the flexible claw sleeve set to the projector then tighten the screws.



6

Arrange power cable and signal cable to the hollowed track on the adjustable tube, cover with plastic strip.



Loosen the locking screw on the Swivel unit holder to adjust projection angle of Projector. Tighten the screw after adjustment.